

# PAB3 and PABS3 Breathers



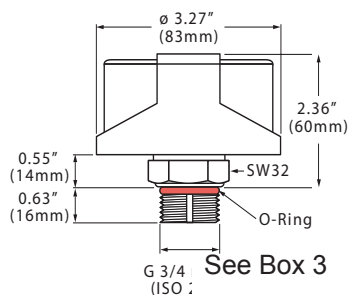
PAB3



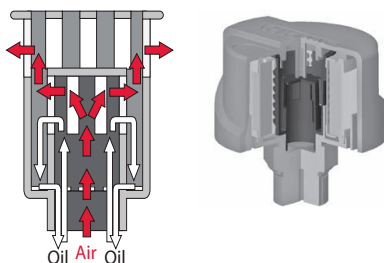
## Specifications:

- Maximum flow rate 25 SCFM / 200 GPM
- Durable synthetic material (Nylon 6)
- 3µm filtration rating
- Buna N O-Ring
- Threaded breather connection
- Optional dipstick (PAB3 only, contact factory)
- Optional customer logo (contact factory)
- Optional relief valve for pressurized reservoir
- Integrated anti-splash insert
- -22° to 212°F (-30° to 100°C)
- Phenolic resin impregnated filter element

## Dimensions:

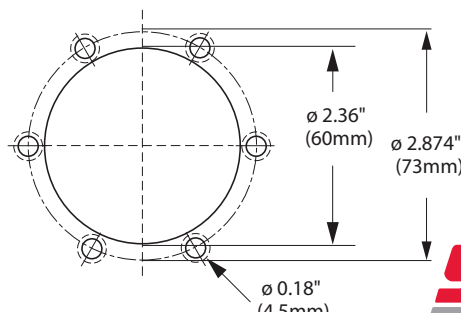
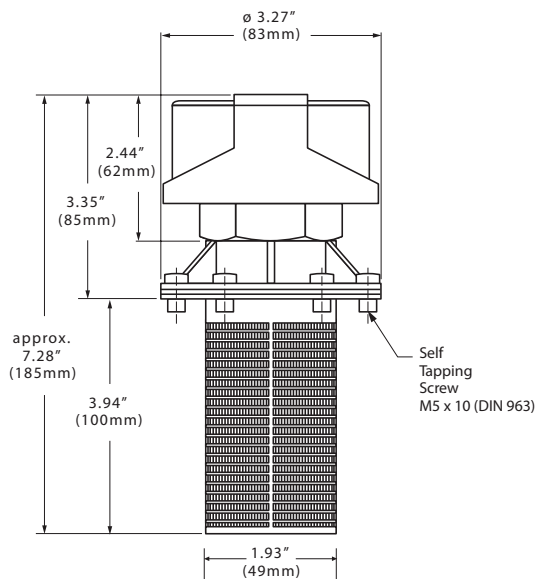


## Anti-Splash Insert:



PAB3

## Dimensions:



PABS3

**Schroeder**  
**INDUSTRIES**

580 West Park Road | Leetsdale, PA 15056



**Solinas** BENELUX BV

Postbus 563, 1420 CB Uithoorn  
C. Verolmelaan 130, 1422 ZB Uithoorn  
Nederland

Tel. +31 (0)297 522 552  
Fax +31 (0)297 526 252  
E-mail solinas@solinas.nl

www.solinas.nl  
www.solinas.be  
KvK 280 83 073

**machinedokter.nl**  
webshop voor machineonderhoud

## How to Build a Valid Model Number for a Schroeder PAB3:

BOX 1	BOX 2	BOX 3	BOX 4	BOX 5	BOX 6	BOX 7
<input type="text"/>	<input type="text"/>	<input type="text"/>	<input type="text"/>	<input type="text"/>	<input type="text"/>	<input type="text"/>

Example: Note: Only one option per box

BOX 1	BOX 2	BOX 3	BOX 4	BOX 5	BOX 6	BOX 7
PAB3	<input type="text"/>	P	3	N	12	R6

= PAB3P3N12R6

## Model Code for the PAB3:

Box 1	Box 2	Box 3	Box 4	Box 5
<b>Model Number</b>	<b>Replaceable Element</b>	<b>Connection Type</b>	<b>Filtration Rating</b>	<b>Gauge Option</b>
PAB3	OMIT	P - NPT S - SAE	3	N - No Gauge

Box 6	Box 7
<b>Connection Size</b>	<b>Options</b>
.75 - NPT Only 12 - SAE Only	AS - Anti-Splash OMIT - None R6 - 6 PSI Relief Valve D - Dipstick

## Model Code for the PABS3:

Box 1	Box 2	Box 3	Box 4	Box 5
<b>Model Number</b>	<b>Replaceable Element</b>	<b>Connection Type</b>	<b>Filtration Rating</b>	<b>Gauge Option</b>
PABS3	OMIT	F - Flanged	3	N - No Gauge

Box 6	Box 7
<b>Connection Size</b>	<b>Options</b>
1 - Standard	OMIT - None R6 - 6 PSI Relief Valve R3 - 3 PSI Relief Valve R10 - 10 PSI Relief Valve

\*Replacement breather for PABS3: **PAB3M3N42**

\*Same day shipment model.

Contact factory for lead time and minimum order quantity for other models.

